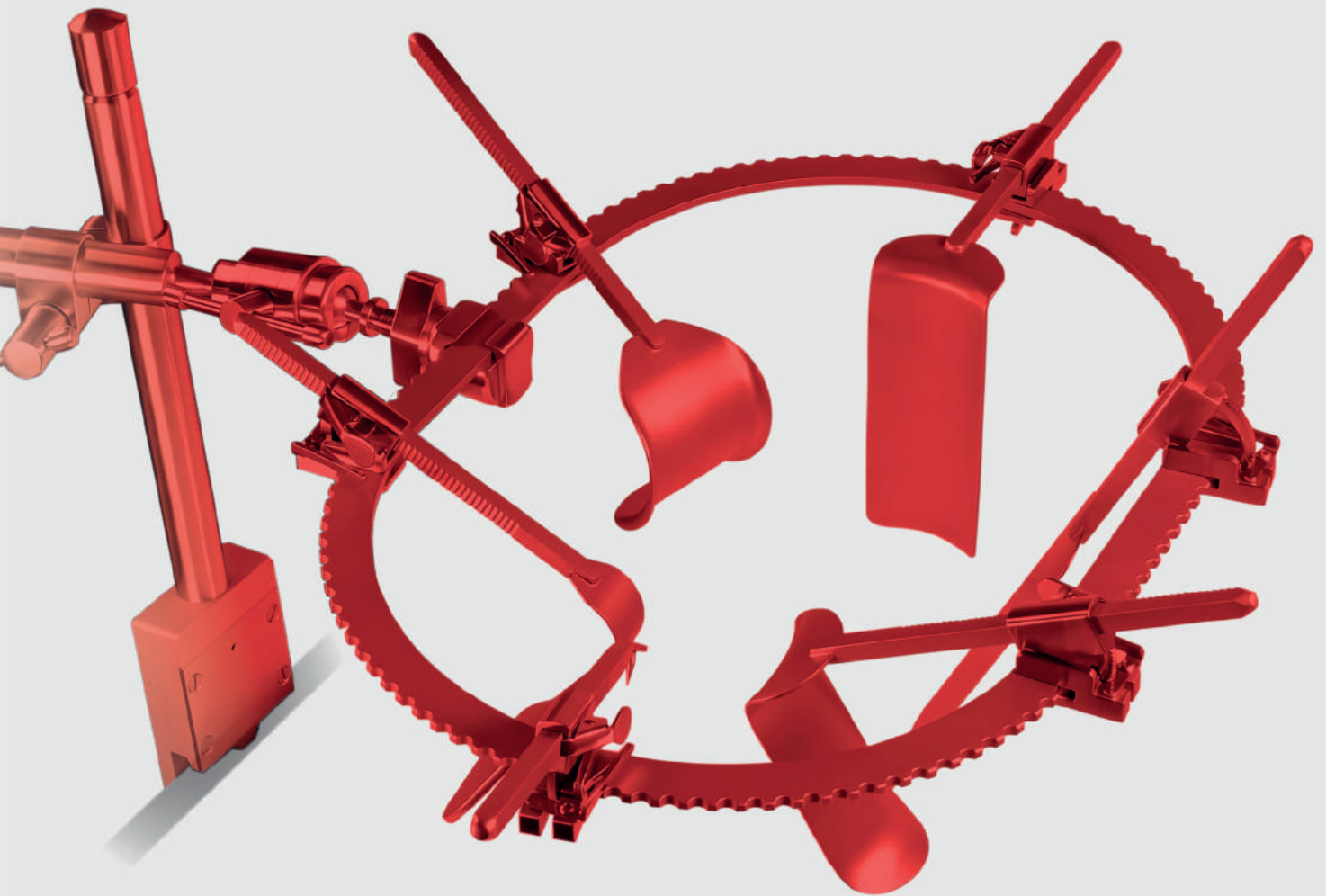


01 SETS  
SETS



nopa<sup>®</sup> instruments

**SET**

essential starter system

ZS 970/00

Das essentielle Starter-System bildet die Grundlage für jedes vollständige Set. Es sind alle erforderlichen Befestigungsteile und Ringe enthalten. Um ein vollständiges System zu erhalten, benötigen Sie lediglich die entsprechenden Valven und können sich so Ihr gewünschtes System zusammenstellen.

The essential starter system is the basis for any complete set. It includes all the required mounting parts and rings. To get a complete system, you only need the corresponding blades to assemble your desired system.

Art.No.	description	qty.	page
AK 751/10	table post, 305 mm / 12"	1	20
AK 751/20	coupling element	1	20
AK 751/43	bar, horizontal, flexible, with 360° rotation, 470 mm / 18 <sup>1/2</sup> "	1	21
AK 752/11	ring, oval, medium, 267 x 368 mm / 10 <sup>1/2</sup> x 14 <sup>1/2</sup> "	1	24
AK 752/31	segmented ring, round, medium, Ø 267 mm / 10 <sup>1/2</sup> "	1	25
AK 753/10	ratchet mechanism, rigid	2	30
AK 753/13	ratchet mechanism, tiltable	4	30

**STARTER / STARTER**

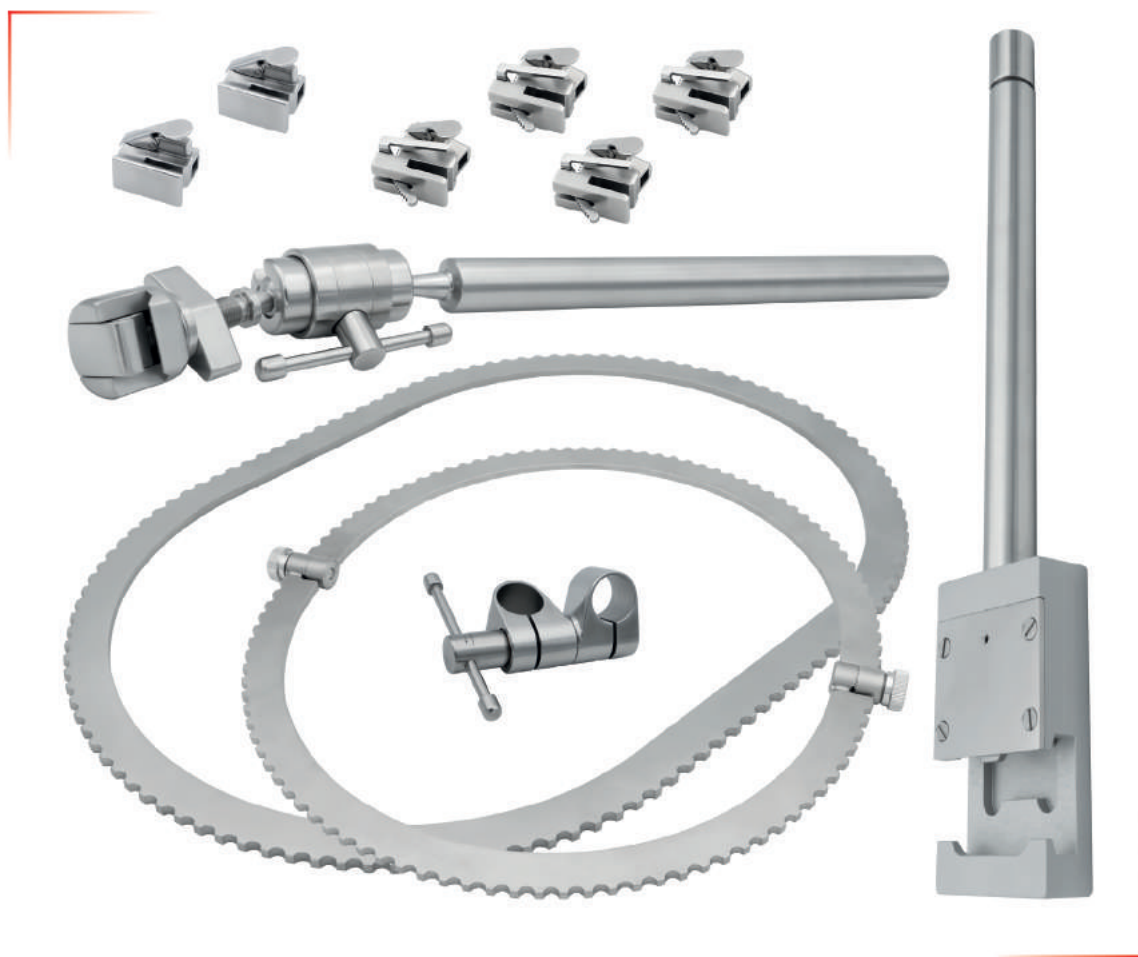
SETS

BASIC EQUIPMENT

RINGS

RATCHET MECHANISMS

BLADES



**SET**

general surgery system

ZS 970/01

Das System für allgemeine Chirurgie ermöglicht den Zugang zum Operationsfeld aus mehreren Richtungen bei verschiedenen Abdominaleingriffen. Wie alle unserer Retraktor-Systeme, zeichnet sich dieses System durch seine einfache Montage aus und bietet hohe Flexibilität durch verschiedene Ringe, Stäbe und Valven.

The system for general surgery allows access to the surgical field from multiple directions during various abdominal procedures. Like all our retractor systems, this system is characterized by its easy assembly and offers high flexibility through different rings, bars and valves.

Art.No.	description	qty.	page
AK 751/10	table post, 305 mm / 12"	1	20
AK 751/20	coupling element	1	20
AK 751/43	bar, horizontal, flexible, with 360° rotation, 470 mm / 18 <sup>1/2</sup> "	1	21
AK 751/45	bar, horizontal, rigid, 365 mm / 14 <sup>1/4</sup> "	1	21
AK 752/11	ring, oval, medium, 267 x 368 mm / 10 <sup>1/2</sup> x 14 <sup>1/2</sup> "	1	24
AK 752/41	segmented ring, oval, medium, 267 x 495 mm / 10 <sup>1/2</sup> x 19 <sup>1/2</sup> "	1	25
AK 753/10	ratchet mechanism, rigid	2	30
AK 753/13	ratchet mechanism, tiltable	6	30
AK 754/20	<b>KELLY</b> blade, 76 x 51 mm / 3 x 2"	2	34
AK 754/22	<b>KELLY</b> blade, 102 x 51 mm / 4 x 2"	1	34
AK 754/24	<b>KELLY</b> blade, 127 x 51 mm / 5 x 2"	1	34
AK 754/26	<b>KELLY</b> blade, 152 x 51 mm / 6 x 2"	1	34
AK 754/32	blade, malleable, 152 x 38 mm / 6 x 1 <sup>1/2</sup> "	1	35
AK 754/34	blade, malleable, 152 x 51 mm / 6 x 2"	2	35
AK 754/38	blade, malleable, 152 x 76 mm / 6 x 3"	1	35
AK 754/60	<b>BALFOUR</b> blade, 76 x 67 mm / 3 x 2 <sup>5/8</sup> "	1	36
AK 754/66	<b>HARRINGTON</b> blade, 143 x 63 mm / 5 <sup>5/8</sup> x 2 <sup>1/2</sup> "	1	36
AK 754/80	<b>GELPI</b> hook	1	37
SU 465/10	tray with lid, for accessories and blades, 537 x 250 x 100 mm / 21 <sup>1/4</sup> x 9 <sup>3/4</sup> x 4"	1	
SU 465/20	tray with lid, for table fixation and rings, 537 x 250 x 197 mm / 21 <sup>1/4</sup> x 9 <sup>3/4</sup> x 7 <sup>3/4</sup> "	1	





**ALLGEMEIN / GENERAL**

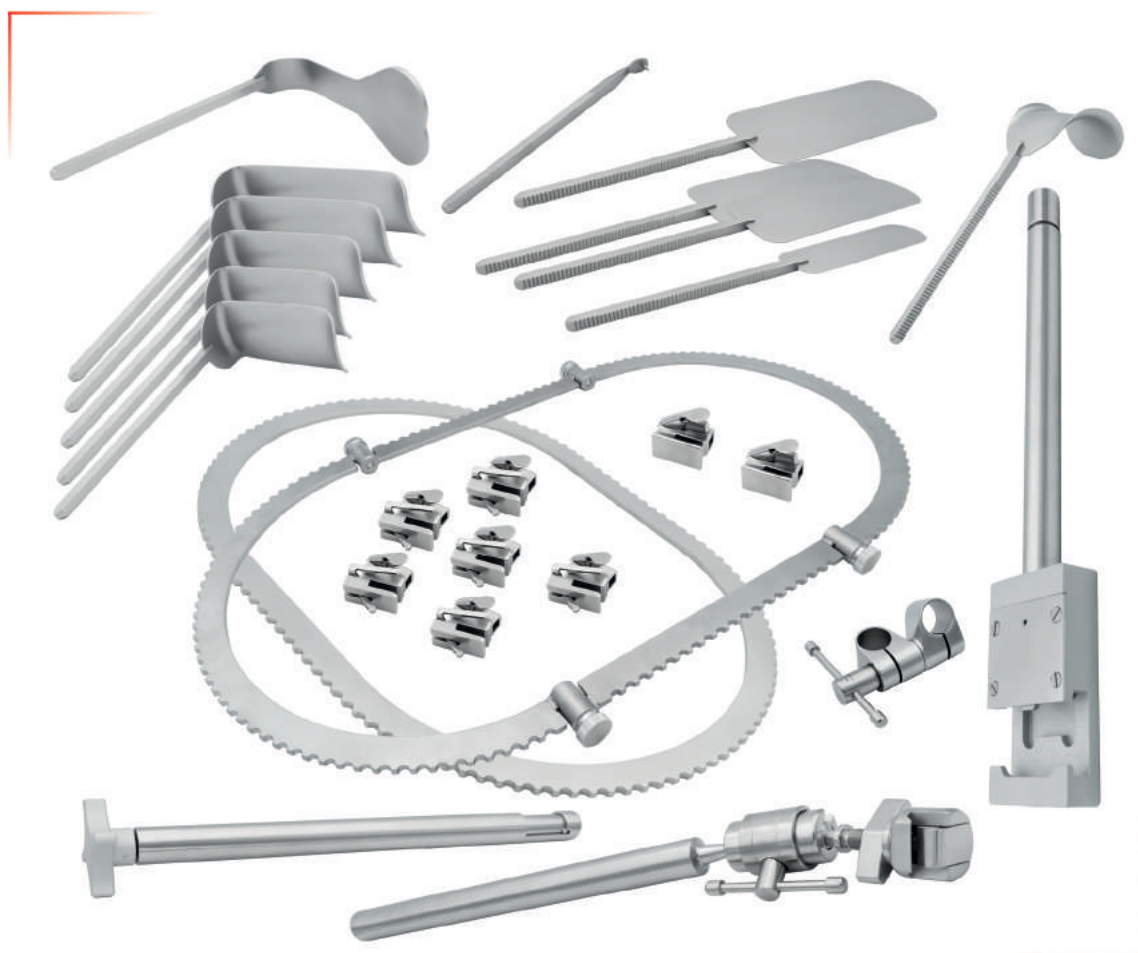
SETS

BASIC EQUIPMENT

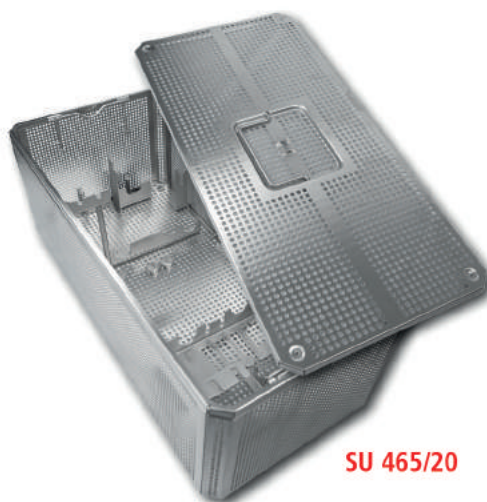
RINGS

RATCHET MECHANISMS

BLADES



SU 465/10



SU 465/20

**SET**

bariatric surgery system - 18"

ZS 970/03

Das bariatrische Retraktoren-System wurde konzipiert um einen chirurgischen Eingriff an korpulenten Patienten vorzunehmen. Das System zeichnet sich aus durch eine höhere Tischhalterung, größere Ringe und Valven mit mehr Fläche. Zusätzliche Reichweite und Höhe kann durch den vertikalen Verlängerungsstab erzielt werden.

The bariatric retractor system is designed to perform a surgical procedure on corpulent patients. The system is characterized by a higher table post, larger rings and valves with more surface area. Additional reach and height can be achieved with the vertical extension bar.

Art.No.	description	qty.	page
AK 751/11	table post, 458 mm / 18"	1	20
AK 751/20	coupling element	1	20
AK 751/40	extension bar, vertical, 305 mm / 12"	1	21
AK 751/45	bar, horizontal, rigid, 365 mm / 14 <sup>1/4</sup> "	1	21
AK 752/11	ring, oval, medium, 267 x 368 mm / 10 <sup>1/2</sup> x 14 <sup>1/2</sup> "	1	24
AK 753/13	ratchet mechanism, tiltable	6	30
AK 753/21	ratchet extender	1	31
AK 753/22	ratchet mechanism for fine adjustment	1	31
AK 754/20	<b>KELLY</b> blade, 76 x 51 mm / 3 x 2"	1	34
AK 754/22	<b>KELLY</b> blade, 102 x 51 mm / 4 x 2"	1	34
AK 754/28	<b>KELLY</b> blade, 203 x 51 mm / 8 x 2"	1	34
AK 754/36	blade, malleable, 254 x 51 mm / 10 x 2"	1	35
AK 754/40	blade, malleable, 254 x 76 mm / 10 x 3"	1	35
AK 754/42	blade, malleable, 203 x 102 mm / 8 x 4"	1	35
AK 754/62	<b>BALFOUR</b> blade, 70 x 89 mm / 2 <sup>3/4</sup> x 3 <sup>1/2</sup> "	1	36
AK 754/68	<b>HARRINGTON</b> blade, 254 x 89 mm / 10 x 3 <sup>1/2</sup> "	1	36

**SET**

bariatric surgery system - 24"

ZS 970/04

Same set as above, but with 24" table post (AK 751/12)

**BARIATRIE / BARIATRICS**

SETS

BASIC EQUIPMENT

RINGS

RATCHET MECHANISMS

BLADES



**SET**

gynecologic surgery system

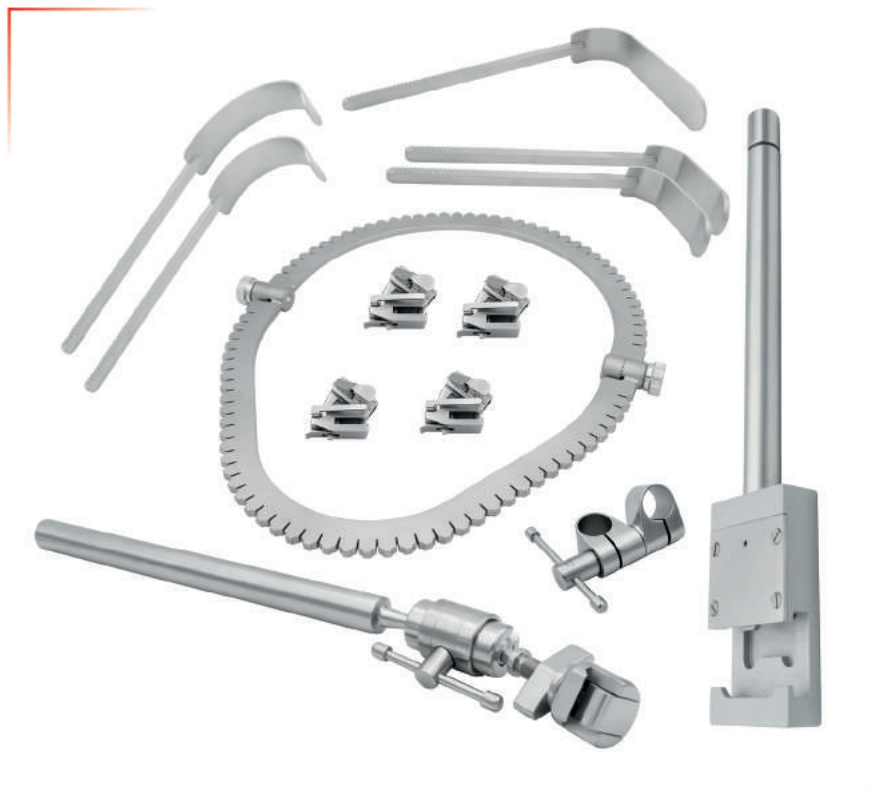
ZS 970/05

**GYNÄKOLOGIE / GYNECOLOGY**

Dieses Set ist für die gynäkologische Anwendung konzipiert. Es enthält einen speziell geformten Segmentring, der eine optimale Darstellung des Operationsfeldes ermöglicht. Eine präzise Positionierung des Systems wird durch den rotierbaren Stab erzielt.

This set is designed for gynecological use. It contains a specially shaped segment ring that allows optimal visualization of the surgical field. Precise positioning of the system is achieved by the rotatable bar.

Art.No.	description	qty.	page
AK 751/10	table post, 305 mm / 12"	1	20
AK 751/20	coupling element	1	20
AK 751/43	bar, horizontal, flexible, with 360° rotation, 470 mm / 18 <sup>1/2</sup> "	1	21
AK 752/60	pelvic ring, segmented, 203 x 267 mm / 8 x 10 <sup>1/2</sup> "	1	26
AK 753/14	ratchet mechanism, tiltable, with body safeguard	4	30
AK 755/20	<b>DEAVER</b> blade, 89 x 25 mm / 3 <sup>1/2</sup> x 1"	1	38
AK 755/22	<b>DEAVER</b> blade, 127 x 25 mm / 5 x 1"	1	38
AK 755/26	vaginal blade, lateral, 76 x 25 mm / 3 x 1"	2	39
AK 755/28	vaginal blade, posterior, 114 x 25 mm / 4 <sup>1/2</sup> x 1"	1	39





**SET**

small incision system - additional set

ZS 970/06

***KLEINE EINGRIFFE / SMALL INCISION***

SETS

Dieses Ergänzungsset kann für nahezu alle Kleinstinzisionseingriffe verwendet werden. Das System ist separat oder in Kombination mit einem System für die allgemeine Chirurgie erhältlich.

This additional set can be used for almost all small incision procedures. The system is available separately or in combination with a system for general surgery.

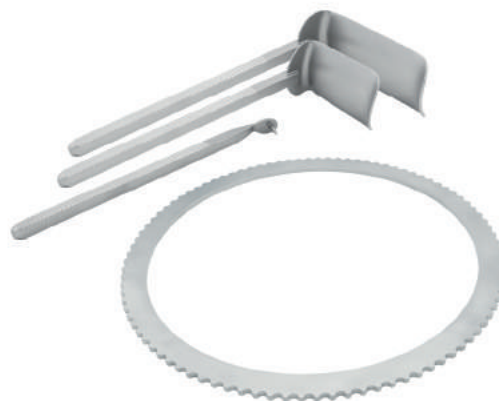
Art.No.	description	qty.	page
AK 752/20	ring, round, small, Ø 216 mm / 8 <sup>1/2</sup> "	1	24
AK 754/10	KELLY blade, 38 x 25 mm / 1 <sup>1/2</sup> x 1"	1	34
AK 754/12	KELLY blade, 63 x 25 mm / 2 <sup>1/2</sup> x 1"	1	34
AK 754/80	GELPI hook	1	37

BASIC EQUIPMENT

RINGS

RATCHET MECHANISMS

BLADES



**SET**

I.M.A. retraction system

ZS 970/07

*I.M.A. / I.M.A.*

Das I.M.A.-System ermöglicht das kontrollierte Anheben der Brustwand über verschiedene Stufen hinweg. Der fein abgestimmte Mechanismus bietet eine hohe Kontrolle.

The I.M.A. system enables the controlled lifting of the chest wall over various levels. The finely adjusted mechanism provides a high level of control.

Art.No.	description	qty.	page
AK 751/10	table post, 305 mm / 12"	1	20
AK 751/20	coupling element	1	20
AK 751/45	bar, horizontal, rigid, 365 mm / 14 <sup>1/4</sup> "	1	21
AK 757/01	I.M.A. crossbar, 355 mm / 14"	1	
AK 757/02	I.M.A. locking mechanism	2	
AK 757/03	I.M.A. blade, 330 mm / 13"	2	





SETS

BASIC EQUIPMENT

RINGS

RATCHET MECHANISMS

BLADES



01 SETS  
SETS



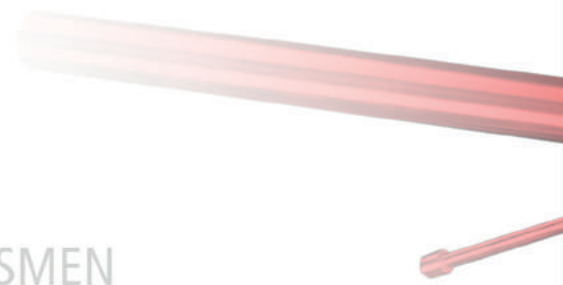
03 RINGE  
RINGS



04 RASTMECHANISMEN  
RATCHET MECHANISMS

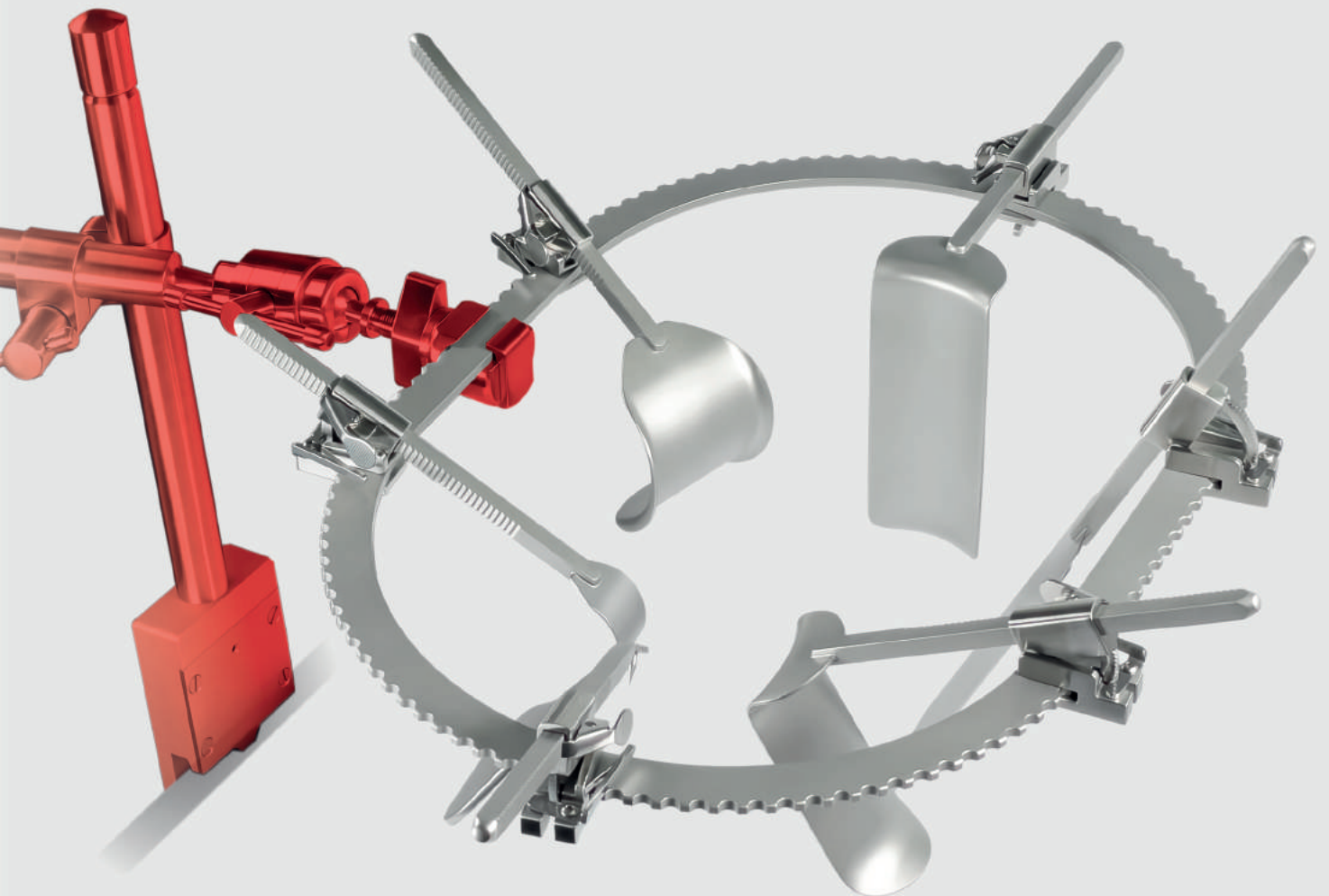


05 VALVEN  
BLADES





 **02** BASIS-AUSRÜSTUNG  
BASIC EQUIPMENT



**TISCHHALTERUNGEN / TABLE POSTS**

Tischhalterungen  
table posts

305 mm / 12"	<b>AK 751/10</b>
458 mm / 18"	<b>AK 751/11</b>
608 mm / 24"	<b>AK 751/12</b>
lightweight, 305 mm / 12"	<b>AK 751/13</b>

**KUPPLUNG / COUPLING**

Kupplungselement  
coupling element

**AK 751/20**

**STÄBE / BARS**

SETS

BASIC EQUIPMENT

RINGS

RATCHET MECHANISMS

BLADES

Verlängerungsstab, vertikal  
extension bar, vertical



305 mm / 12"

**AK 751/40**

458 mm / 18"

**AK 751/41**

Stab, horizontal, flexibel, mit 360°-Rotation  
bar, horizontal, flexible, with 360° rotation



470 mm / 18<sup>1/2</sup>"

**AK 751/43**

Stab, horizontal, starr  
bar, horizontal, rigid



365 mm / 14<sup>1/4</sup>"

**AK 751/45**

Stab, horizontal, starr, mit Spannfutter  
bar, horizontal, rigid, with chuck



390 mm / 15<sup>1/4</sup>"

**AK 751/46**



01 SETS  
SETS



02 BASIS-AUSRÜSTUNG  
BASIC EQUIPMENT

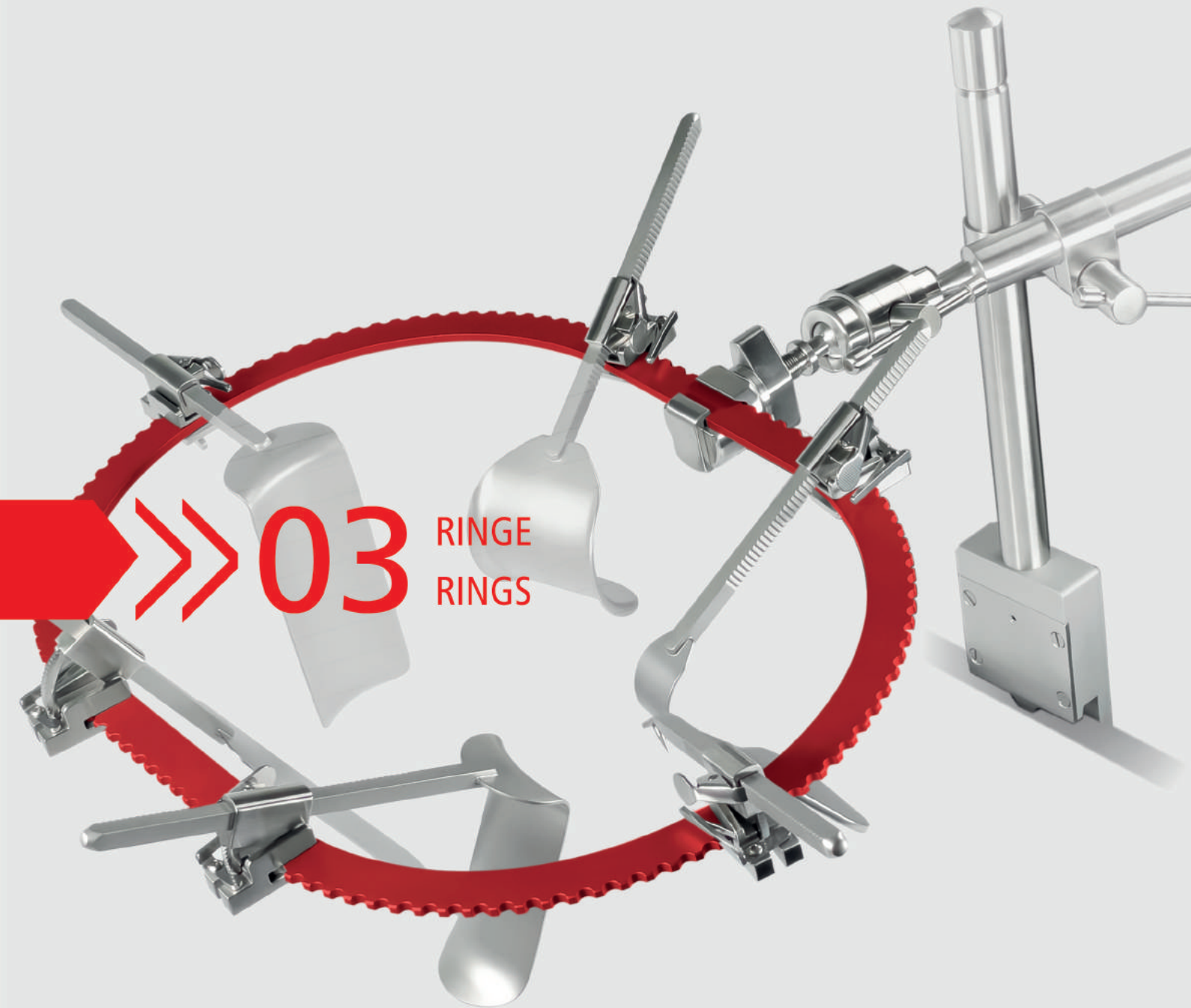


04 RASTMECHANISMEN  
RATCHET MECHANISMS

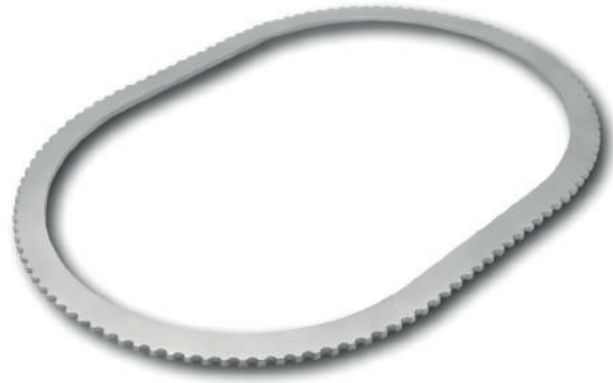


05 VALVEN  
BLADES





03 RINGE  
RINGS

**OVAL / OVAL****Ringe, oval  
rings, oval**

klein small	203 x 311 mm / 8 x 12 <sup>1/4</sup> "	<b>AK 752/10</b>
medium medium	267 x 368 mm / 10 <sup>1/2</sup> x 14 <sup>1/2</sup> "	<b>AK 752/11</b>
groß large	305 x 470 mm / 12 x 18 <sup>1/2</sup> "	<b>AK 752/12</b>

**RUND / ROUND****Ringe, rund  
rings, round**

klein small	Ø 216 mm / 8 <sup>1/2</sup> "	<b>AK 752/20</b>
medium medium	Ø 267 mm / 10 <sup>1/2</sup> "	<b>AK 752/21</b>
groß large	Ø 318 mm / 12 <sup>1/2</sup> "	<b>AK 752/22</b>

**SEGMENTIERT / SEGMENTED**

SETS

BASIC EQUIPMENT

RINGS

RATCHET MECHANISMS

BLADES

**segmentierte Ringe, rund  
segmented rings, round**

klein small	Ø 216 mm / 8 <sup>1/2</sup> "	<b>AK 752/30</b>
medium medium	Ø 267 mm / 10 <sup>1/2</sup> "	<b>AK 752/31</b>
groß large	Ø 406 mm / 16"	<b>AK 752/32</b>

**segmentierte Ringe, oval  
segmented rings, oval**

klein small	216 x 356 mm / 8 <sup>1/2</sup> x 14"	<b>AK 752/40</b>
medium medium	267 x 495 mm / 10 <sup>1/2</sup> x 19 <sup>1/2</sup> "	<b>AK 752/41</b>
groß large	318 x 495 mm / 12 <sup>1/2</sup> x 19 <sup>1/2</sup> "	<b>AK 752/42</b>

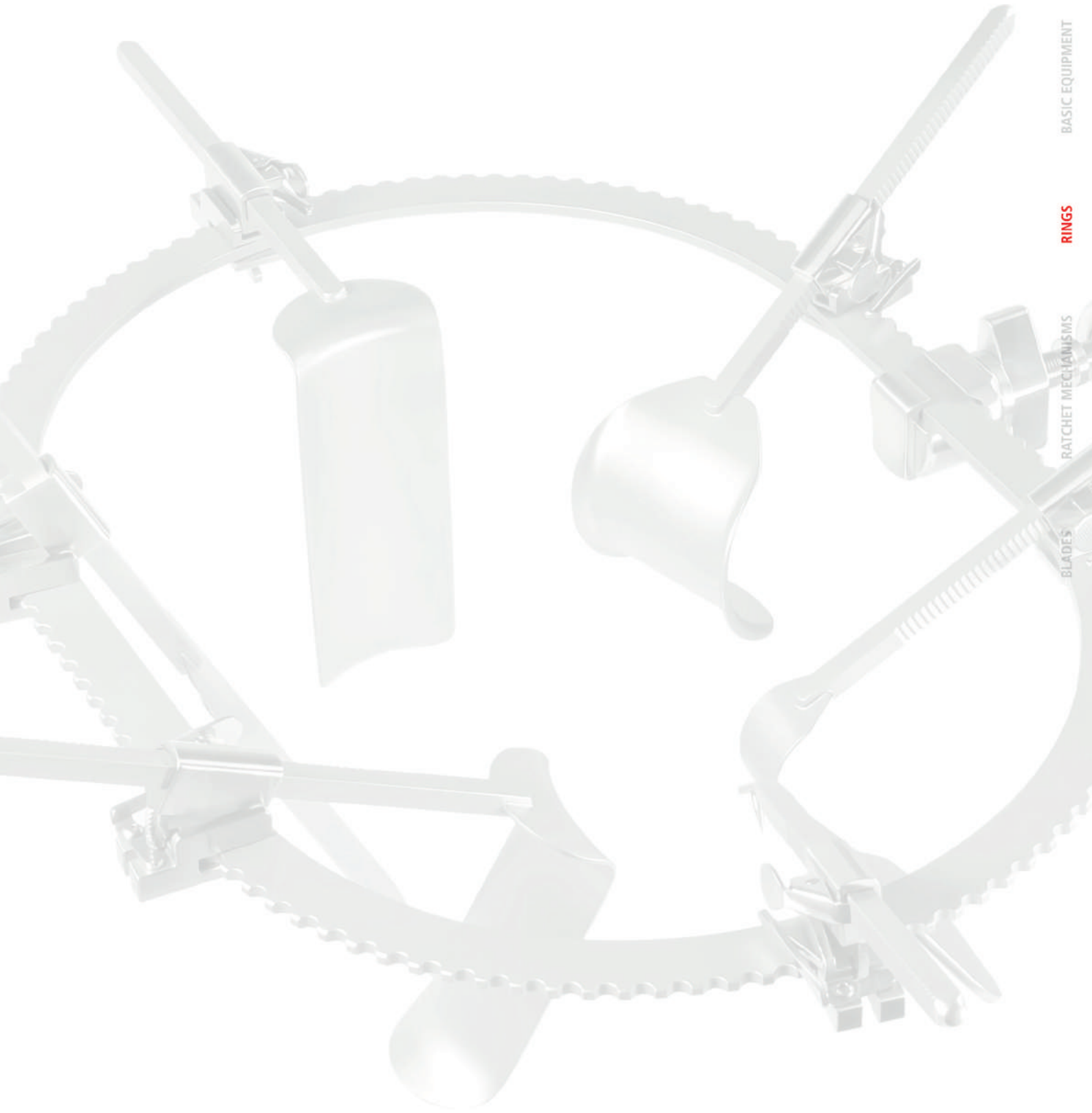
**SEGMENTIERT / SEGMENTED****Ringsegmente (Verlängerungen)  
ring segments (extensions)**

klein, Paar small, pair	102 mm / 4"	<b>AK 752/50</b>
medium, Paar medium, pair	152 mm / 6"	<b>AK 752/51</b>
groß, Paar large, pair	203 mm / 8"	<b>AK 752/52</b>

**Beckenring, segmentiert  
pelvic ring, segmented**

203 x 267 mm / 8 x 10<sup>1/2</sup>" **AK 752/60**





SETS

BASIC EQUIPMENT

**RINGS**

RATCHET MECHANISMS

BLADES



01 SETS  
SETS



02 BASIS-AUSRÜSTUNG  
BASIC EQUIPMENT

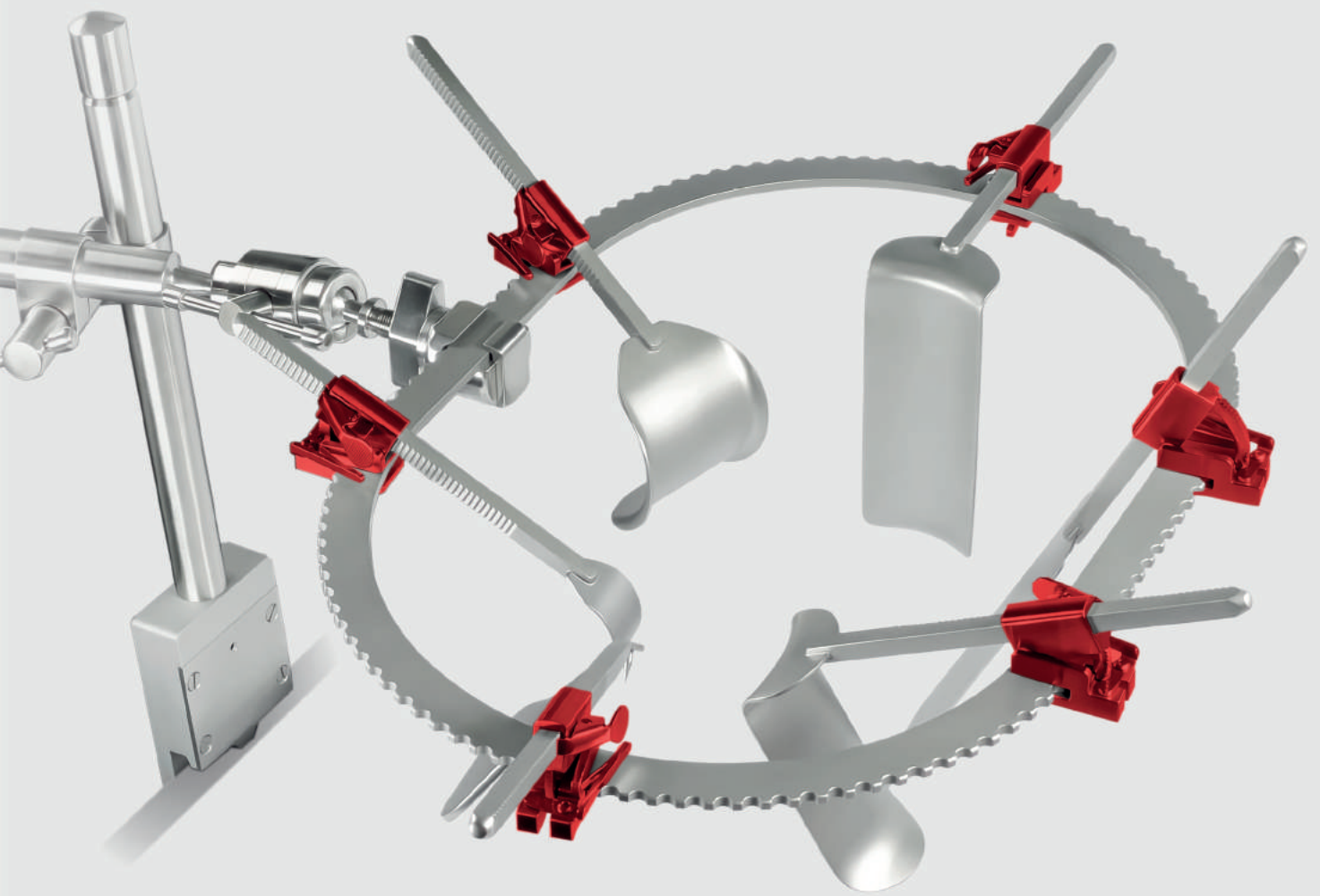


03 RINGE  
RINGS



05 VALVEN  
BLADES





 **04** RASTMECHANISMEN  
RATCHET MECHANISMS

**nopa**<sup>®</sup> instruments

**STARR / RIGID**

---

Rastmechanismus, starr  
ratchet mechanism, rigid



AK 753/10

**KIPPBAR / TILTABLE**

---

Rastmechanismus, kippbar  
ratchet mechanism, tiltable



AK 753/13

Rastmechanismus, kippbar, mit Rahmensicherung  
ratchet mechanism, tiltable, with body safeguard



AK 753/14

**KIPP- U. DREHBAR / TILTABLE A. ROTATABLE**

Rastmechanismus, kipp- und drehbar  
ratchet mechanism, tiltable and rotatable



**AK 753/17**

Rastmechanismus, kipp- und drehbar, mit Rahmensicherung  
ratchet mechanism, tiltable and rotatable, with body safeguard



**AK 753/18**

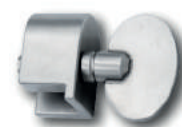
**SONSTIGES / MISCELLANEOUS**

Rastverlängerung  
ratchet extender



**AK 753/21**

Rastmechanismus zur Feineinstellung  
ratchet mechanism for fine adjustment



**AK 753/22**

SETS

BASIC EQUIPMENT

RINGS

RATCHET MECHANISMS

BLADES





01 SETS  
SETS



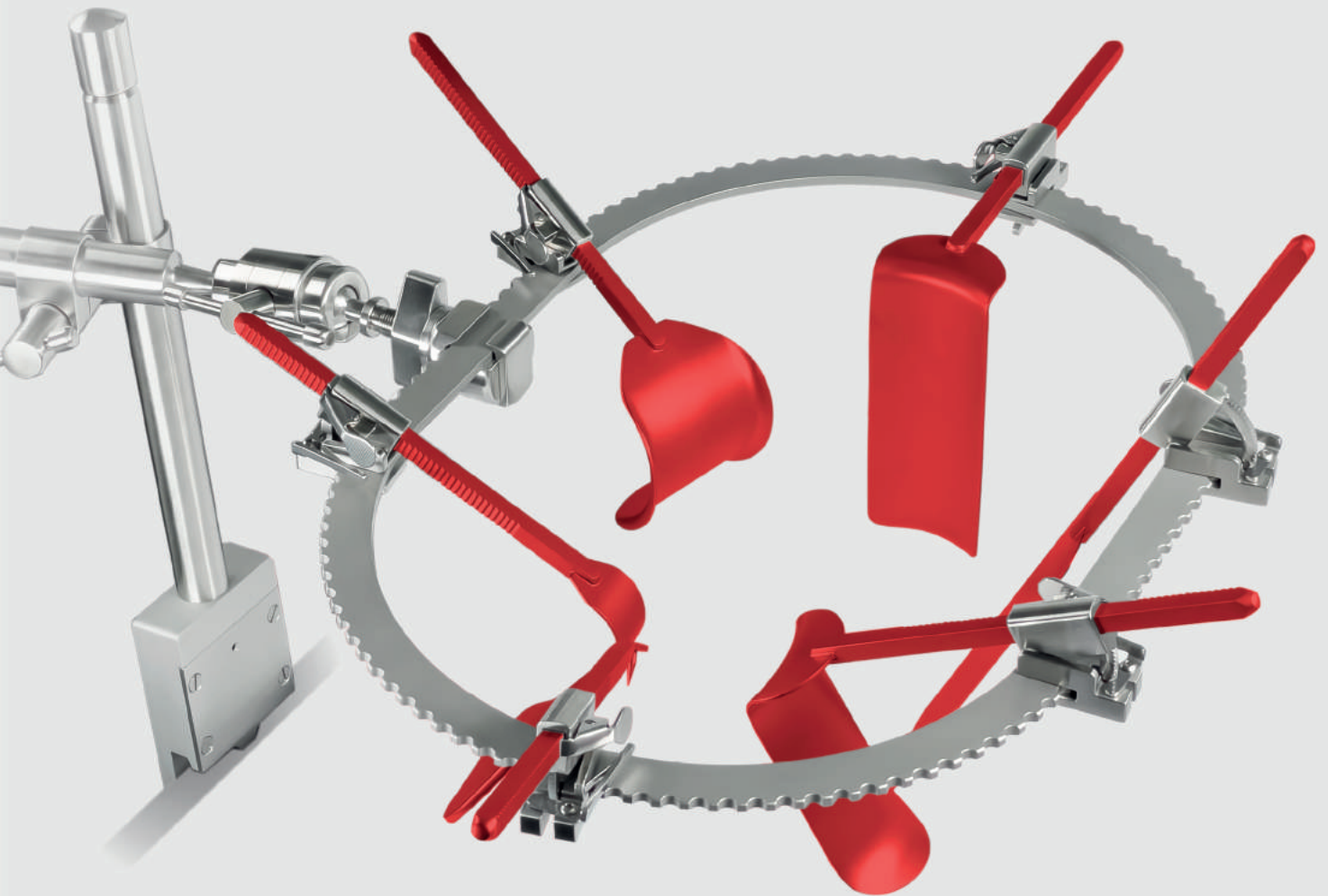
02 BASIS-AUSRÜSTUNG  
BASIC EQUIPMENT



03 RINGE  
RINGS



04 RASTMECHANISMEN  
RATCHET MECHANISMS



**>>> 05** VALVEN  
BLADES



KELLY Valven  
KELLY blades

Länge length	Breite width	
38 mm / 1 <sup>1/2</sup> "	25 mm / 1"	<b>AK 754/10</b>
63 mm / 2 <sup>1/2</sup> "	25 mm / 1"	<b>AK 754/12</b>
38 mm / 1 <sup>1/2</sup> "	51 mm / 2"	<b>AK 754/14</b>
51 mm / 2"	51 mm / 2"	<b>AK 754/16</b>
63 mm / 2 <sup>1/2</sup> "	51 mm / 2"	<b>AK 754/18</b>
76 mm / 3"	51 mm / 2"	<b>AK 754/20</b>
102 mm / 4"	51 mm / 2"	<b>AK 754/22</b>
127 mm / 5"	51 mm / 2"	<b>AK 754/24</b>
152 mm / 6"	51 mm / 2"	<b>AK 754/26</b>
203 mm / 8"	51 mm / 2"	<b>AK 754/28</b>

Valven, biegsam  
blades, malleable



	Länge length	Breite width	
	152 mm / 6"	38 mm / 1 1/2"	<b>AK 754/32</b>
	152 mm / 6"	51 mm / 2"	<b>AK 754/34</b>
	254 mm / 10"	51 mm / 2"	<b>AK 754/36</b>
	152 mm / 6"	76 mm / 3"	<b>AK 754/38</b>
	254 mm / 10"	76 mm / 3"	<b>AK 754/40</b>
	203 mm / 8"	102 mm / 4"	<b>AK 754/42</b>

Valven, biegsam, mit Lippe  
blades, malleable, with lip



Dicke thickness	Länge length	Breite width	
0,8 mm	152 mm / 6"	38 mm / 1 1/2"	<b>AK 754/46</b>
	152 mm / 6"	51 mm / 2"	<b>AK 754/48</b>
	102 mm / 4"	25 mm / 1"	<b>AK 754/50</b>
1,2 mm	152 mm / 6"	38 mm / 1 1/2"	<b>AK 754/52</b>
	152 mm / 6"	51 mm / 2"	<b>AK 754/54</b>
	152 mm / 6"	76 mm / 3"	<b>AK 754/56</b>

BALFOUR Valven  
BALFOUR blades



Länge length	Breite width	
76 mm / 3"	67 mm / 2 <sup>5/8</sup> "	<b>AK 754/60</b>
70 mm / 2 <sup>3/4</sup> "	89 mm / 3 <sup>1/2</sup> "	<b>AK 754/62</b>

HARRINGTON Valven  
HARRINGTON blades



Länge length	Breite width	
143 mm / 5 <sup>5/8</sup> "	63 mm / 2 <sup>1/2</sup> "	<b>AK 754/66</b>
254 mm / 10"	89 mm / 3 <sup>1/2</sup> "	<b>AK 754/68</b>



**RICHARDSON Valven**  
**RICHARDSON blades**



Länge length	Breite width	
25 mm / 1"	19 mm / 3/4"	<b>AK 754/72</b>
51 mm / 2"	19 mm / 3/4"	<b>AK 754/74</b>
32 mm / 1 <sup>1/4</sup> "	25 mm / 1"	<b>AK 754/76</b>

**GELPI Haken**  
**GELPI hook**



**AK 754/80**

**Titan Valven**  
**Titan blades**



Länge length	Breite width	
102 mm / 4"	25 mm / 1"	<b>AK 754/84</b>
127 mm / 5"	25 mm / 1"	<b>AK 754/86</b>
152 mm / 6"	25 mm / 1"	<b>AK 754/88</b>
180 mm / 7"	25 mm / 1"	<b>AK 754/90</b>

Rake Retraktor  
Rake retractor



	Länge length	Breite width	
3-zahnig 3 prongs	17 mm / 2/3"	18 mm / 5/7"	<b>AK 755/10</b>
4-zahnig 4 prongs	9 mm / 1/3"	19 mm / 3/4"	<b>AK 755/11</b>
6-zahnig 6 prongs	9 mm / 1/3"	29 mm / 1 1/8"	<b>AK 755/12</b>

DEAVER Valven  
DEAVER blades



	Länge length	Breite width	
	89 mm / 3 1/2"	25 mm / 1"	<b>AK 755/20</b>
	127 mm / 5"	25 mm / 1"	<b>AK 755/22</b>

Vaginal Valven, lateral  
vaginal blades, lateral



Länge  
length

76 mm / 3"

Breite  
width

25 mm / 1"

**AK 755/26**

Vaginal Valven, posterior  
vaginal blades, posterior



Länge  
length

114 mm / 4<sup>1/2</sup>"

Breite  
width

25 mm / 1"

**AK 755/28**